

f.a.l.

PROFILE SPOT 1000

INSTRUCTION MANUAL

model:

PF 1230 PROFILE SPOT 1000

IMPORTANT

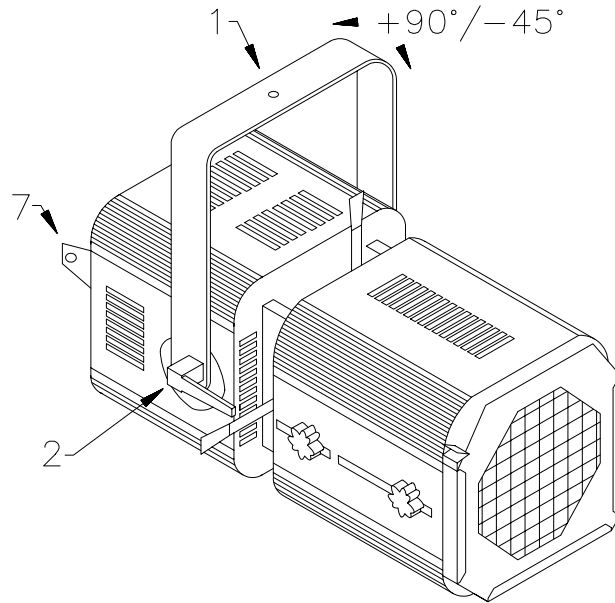
This instruction manual contains important information about the installation and use of this projector. Please read and follow these instructions carefully.

IMPORTANT

Always ensure that the power to the projector is disconnected before opening the projector or commencing any maintenance work.

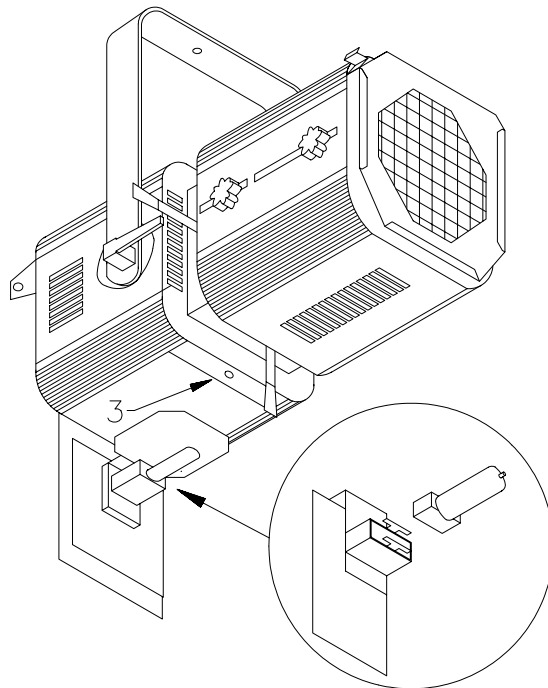
01 - INSTALLING THE PROJECTOR

The projector should be mounted through the 11mm hole in its bracket (1). For safety the projector should have a secondary fixing with a safety chain through the fixing eye (7). The projector bracket allows an angle adjustment of $+90^{\circ}/-45^{\circ}$ and, once positioned, the knob (2) should be firmly tightened. The projector mounting bracket can also be easily rotated to be positioned on the underside of the projector for tripod mounting etc.



02 - FITTING THE LAMP

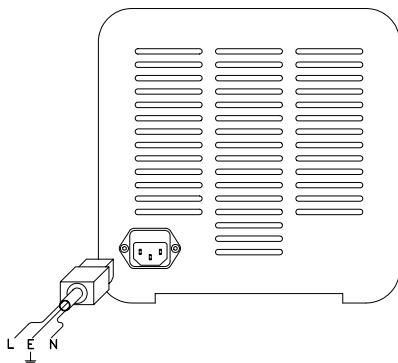
The lamp access hatch is released by turning the catch (3) a quarter turn. Insert the CP 70 1000W lamp in its socket. (Use only the lamp version that is correct for the mains voltage 120V/220V/240V). The CP 70 lamp base is asymmetric, therefore it can only be inserted in one way. Insert the lamp with care and without using excessive force. Do not touch the glass of the lamp. If the lamp glass is accidentally touched, follow the manufacturers instructions for cleaning the lamp before you use it, otherwise the lamp life may be significantly reduced. Close the access hatch.



03 - POWER SUPPLY - MAINS

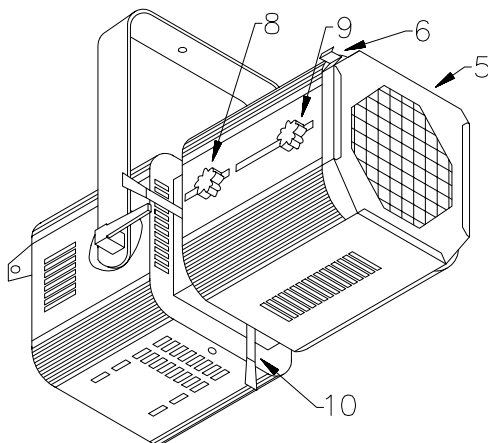
Use the plug provided to connect the mains power to the projector paying attention to the voltage and frequency marked on the label attached to the projector. The brown wire is live (L), the blue wire is neutral (N), and the yellow and green wire is earth (E).

IMPORTANT: It is essential that each projector is correctly earthed and that electrical installation conforms to all relevant standards.



04 - ZOOM AND FOCUS

Zoom and focus of the light beam are adjusted via the 2 knobs (8-9) located on the side of the projector. The beam spread can be adjusted from a minimum 20° to a maximum of 40°.



05 - PROFILE SYSTEM AND IRIS

The Profile Spot 1000 is provided with a profile system of 4 profile blades. Insert the profile blades (10) in the appropriate side slots to cut the beam to the required shape. A dedicated 55mm iris (PF 837) and a gobo-holder for 53mm diam. gobos (PF 818) are also available.

06 - FILTER FRAME

The filter frame (5) is located at the front of the projector. Move back the spring (6) and slide the filter frame out. Remove the springs and insert the coloured gel. (It is recommended that only filters with high temperature capacity are used).

07 - MAINTENANCE

If the protective grill or any of the lenses become damage or broken they should be replaced. If the lamp becomes damaged or deformed in any way it must be replaced.

08 - KEEPING THE PROJECTOR CLEAN

Clean the lenses periodically (at least every six months) to maintain an optimum light output from the unit.