



®

f.a.i.

D-CROSS

(DMX controller for R/G/B led devices)

Instruction Manual

Model:

D-CROSS

ATTENTION

This instruction manual contains important information about the installation and use of the projector. Please read and follow these instructions carefully.

ATTENTION

Always ensure that the power to the projector is disconnected before opening the projector or commencing any maintenance work.

TABLE OF CONTENTS

1. SAFE USAGE OF THE CONTROL PANEL	3
2. GETTING STARTED	3
3. INSTALLING THE CONTROL PANEL	4
4. CONNECTIONS	4
5. CONTROL PANEL OPERATION	4
6. OPERATION MODES EXAMPLE	5
7. SYSTEM DIAGRAM EXAMPLES	6
8. DMX TABLE	7
9. TROUBLESHOOTING	7
10. TECHNICAL SPECIFICATIONS	7

1 - SAFE USAGE OF THE CONTROL PANEL

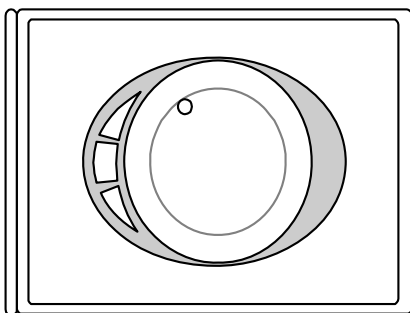
- Do not attempt to dismantle and modify the projector.
- Do not allow contact with water or any other fluids, or metallic objects.
- Do not install the projector in areas of high humidity.
- Not allowed to be mounted directly on inflammable surfaces.
- Protective grill, lenses, U.V. filters should be replaced if they are visibly damaged to the point at which their effectiveness is diminished, for example by becoming cracked or deeply scratched..
- To ensure the reliability of the projector, it is recommended to clean projector every 15 days. In locations such as discotheques the it should be cleaned every week as smoke fluid can condense on it.

2 - GETTING STARTED

In this section you will find some brief steps to follow to start using immediately the projector. These few instructions are essential for connecting and supplying the projector, but do not exhaust the several functions the apparatus is capable to do.

You are strongly invited to read the rest of this instructions manual once installed the projector, so as to get more insight and acquire full control on the fixture functionalities. For further deepening on single steps, you are send back to the relevant section, indicated in the brackets.

Open the shipping carton and verify that all equipment necessary to operate the system has arrived intact. Refer to the following packing list for information on what items are included with your model. If any equipment is missing or damaged, contact your f.a.l. dealer immediately.



1* D-CROSS



1* Instruction manual

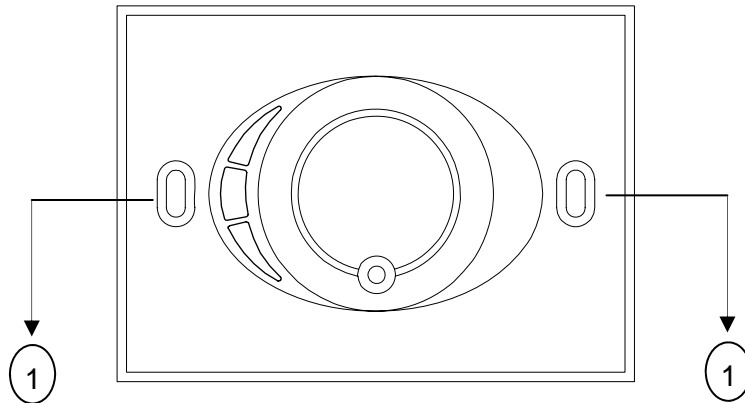


1* RJ-11 cable

Before beginning initial setup of your D-CROSS, make sure that there is no evident damage caused by transportation. In the event that the unit's housing or cable is damaged, do not plug it in and do not attempt to use it until after contacting your f.a.l. dealer for assistance.

3 - INSTALLING THE CONTROL PANEL

The Projector should be mounted via its two holes (1) using at least two M4 size screws. Always ensure that the structure or surface to which you are attaching the projector is away from moisture.



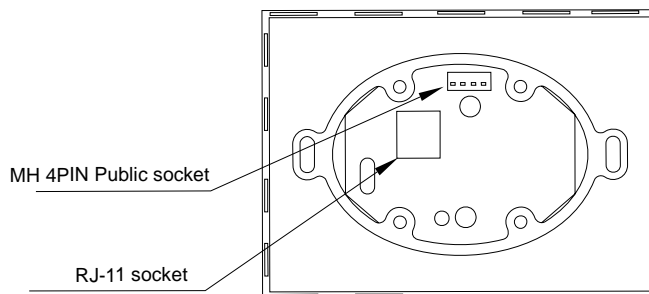
4 - CONNECTIONS

MAINS CONNECTION:

Please pay attention to the voltage and frequency marked on the back panel of the projector. It is recommended that each projector is supplied separately so that they may be individually switched on and off.

It is essential that each projector is correctly earthed and that electrical installation conforms to all relevant standards. Power consumption of the D-CROSS is 0.63W.

NOTE: The Earth must be connected.



DMX 512 CONNECTION:

The D-CROSS accepts digital control signal in DMX 512 format. Connection between one projector and another must be made with 4 core RJ-11 cable, with each core having at least 0.5mm² cross section. Connection to and from the projector is via MH 4pin public sockets. The connection socket as shown in the table above.

NOTE: Make sure that none of the connections touch the body of plug or each other. The body of the plug is not connected anyway.

5 - CONTROL PANEL OPERATION

The D-CROSS is an DMX controller for any 3 channels R/G/B devices. It provides three modes, 21 build-in programs for easy operation.

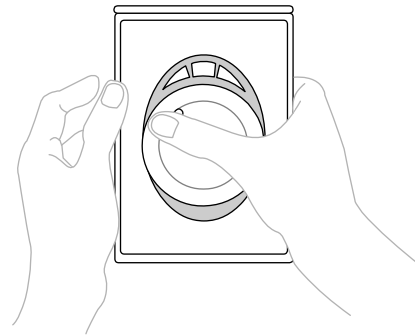
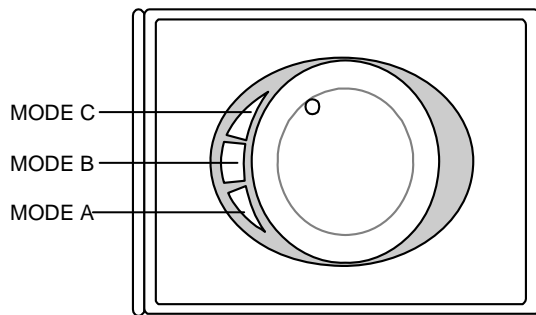
MODE A: Setting color and intensity level.

MODE B: Color temperature selection.

MODE C: Effects, sound active function.

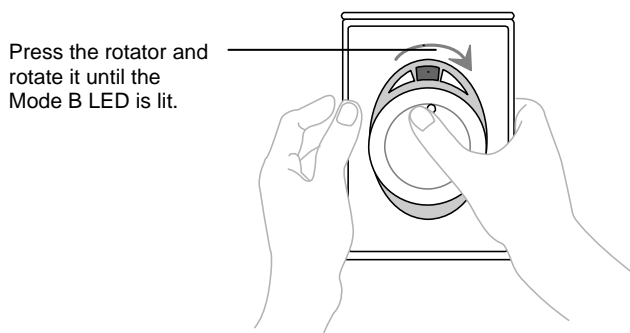
Please refer to **OPERATION MODES EXAMPLE** and **SYSTEM DIAGRAM EXAMPLE** section.

6 - OPERATION MODES EXAMPLE

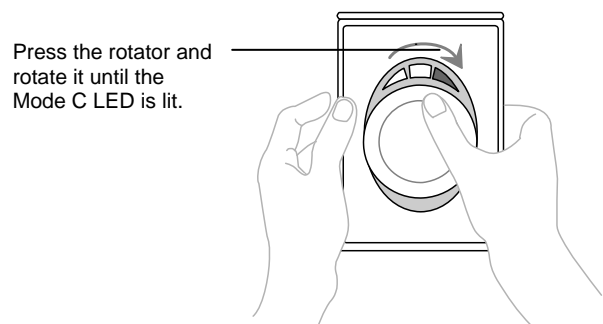


Press and hold the ring for 3 seconds to switch ON/ OFF

Mode Selection: Mode A is initial when you turn on the devices. Three MODE LEDs show different color with different function.



Press the rotator and rotate it until the Mode B LED is lit.



Press the rotator and rotate it until the Mode C LED is lit.

Mode A: Select color and dimming

- Press the rotator once to choose color, and color will change sequentially by White/ Red/ Yellow/ Green/ Cyan/ Blue/ Magenta. The selected color also shows on the MODE LED.
- Since the color was selected, rotate the rotator to setup dimmer level.

Mode B: Color temperature adjustment

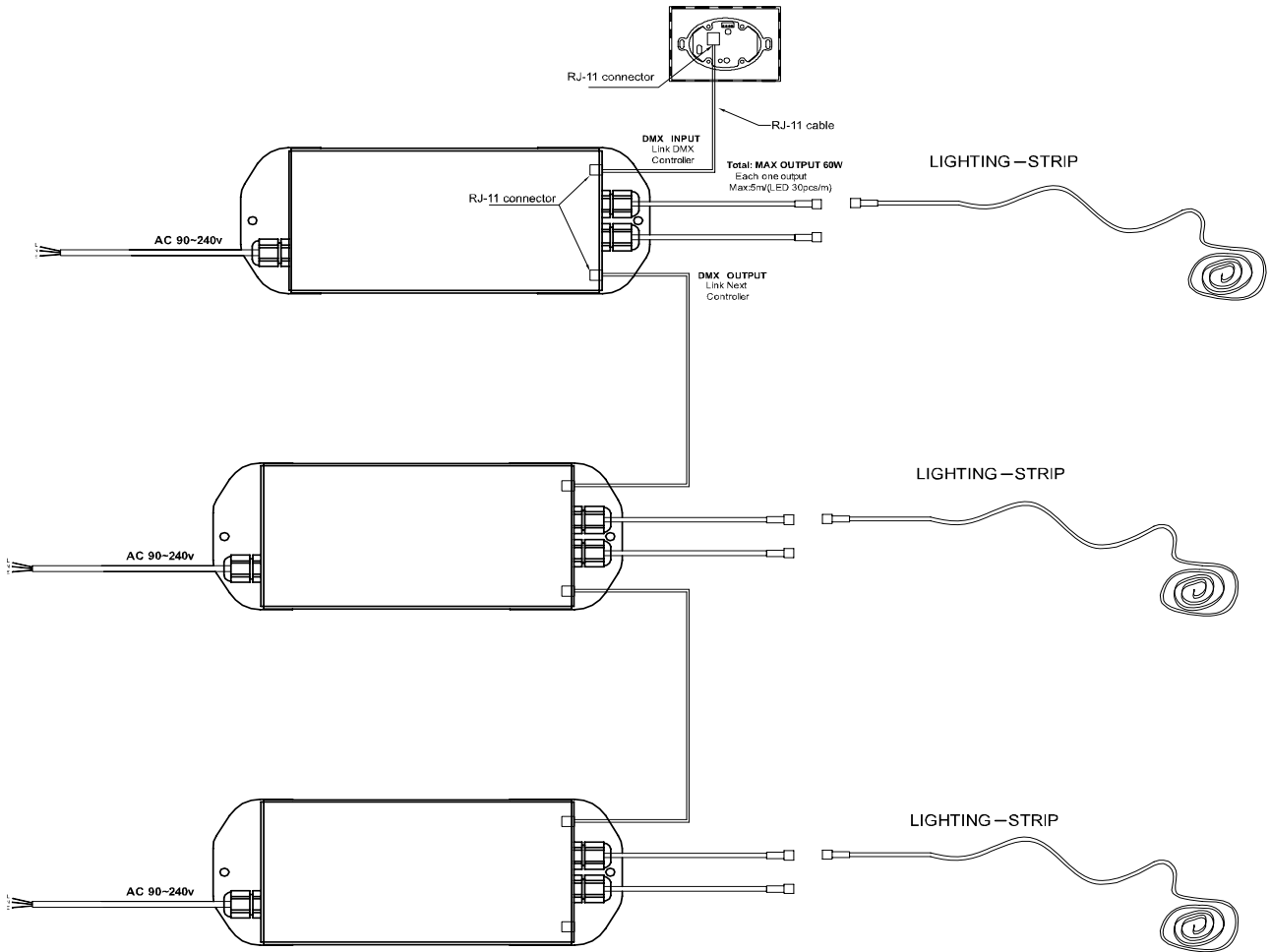
- The color selection as same as Mode A.
- In MODE LED is set to white color, the rotator becomes continuous color selection in full spectrum.
- In rest of colors of MODE LED, Red/ Yellow/ Green/ Cyan/ Blue/ Magenta, the rotator become color temperature selection function.

Mode C: Effects and sound active function, The MODE LED indicates different functions.

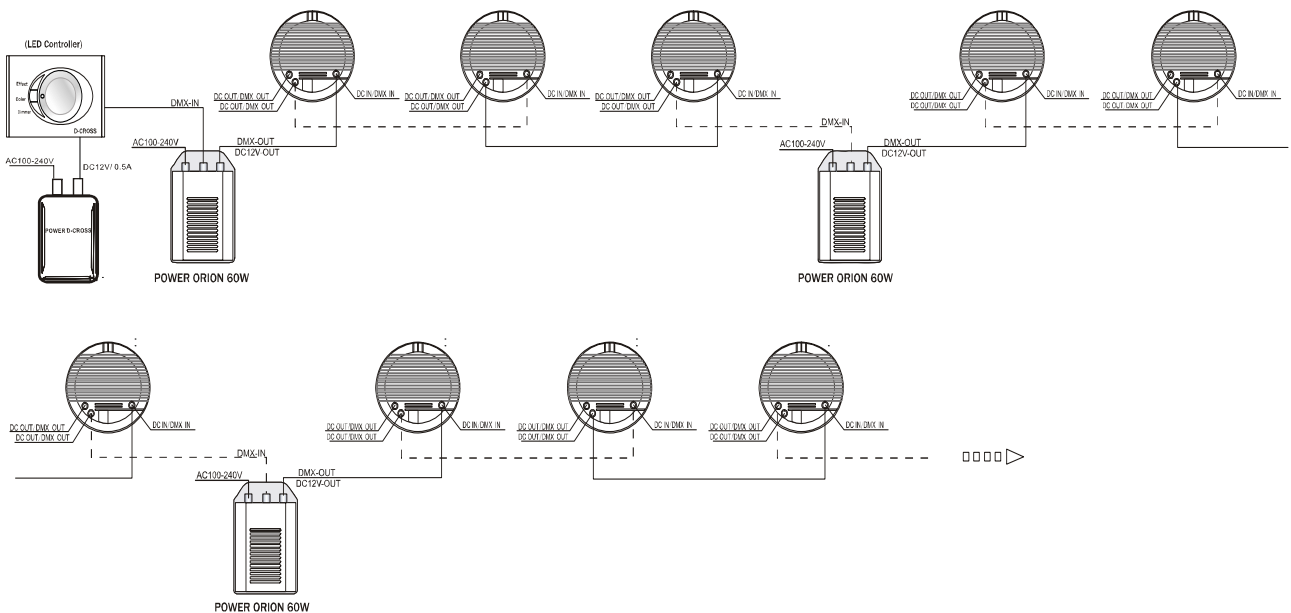
- White, the rotator control the speed of sequential colors changing, with fade in/ out capability.
- Red, the sound active the color chasing from Red/ Yellow/ Green/ Cyan/ Blue/ Magenta/ White and blackout, with fade in/ out capability.
- Yellow, sound active the strobe function in sequentially colors.
- Green, sound active the white color strobe, the rotator control strobe speed,.
- Cyan, automatically changing the sequence colors with color chasing, the rotator control changing speed.
- Blue, white color strobe, the rotator control strobe speed.
- Magenta, colors chasing, the rotator control the speed.

7 - SYSTEM DIAGRAM EXAMPLES

7.1 D-CROSS WITH POWER STRIP, LED STRIP



7.2 D-CROSS WITH ORION II



8 - DMX TABLE

CHANNEL	FUNCTION	CHANNEL	FUNCTION
Channel 1	MODE A: Setting color and intensity level	Channel 3	MODE C: Effects, sound active function.
Channel 2	MODE B: Color temperature selection.		

9 - TROUBLESHOOTING

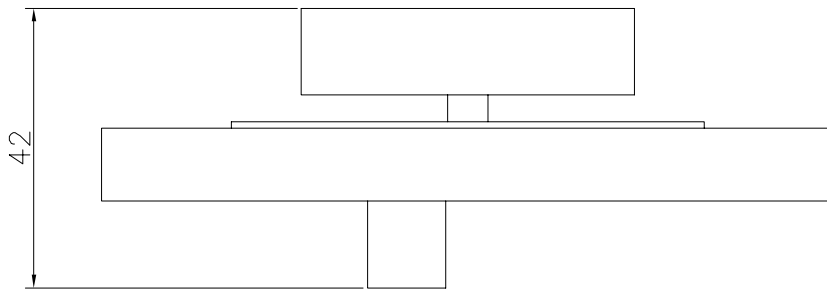
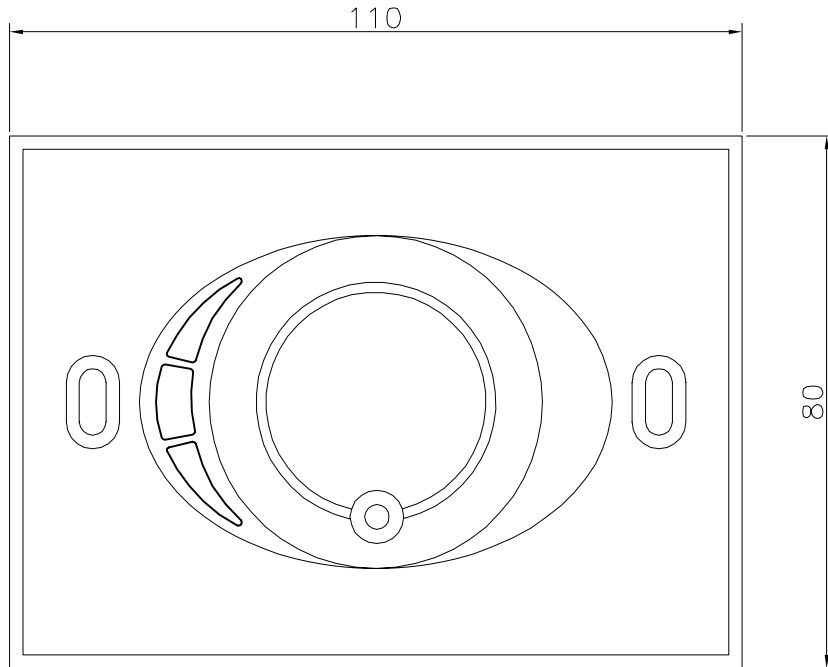
To ensure the reliability of the spotlight it should be kept clean. It is recommended that the fan should be clean every 15 days with compressed air and in case of more resistant dirt with one soft brush.

Shall any malfunction occurred, please try following solutions.

PROBLEM	POSSIBLE SOLUTION
The D-CROSS does not start	Check the power connections
The D-CROSS does not respond to the leds	Check the DMX cable connections. Make sure that they are all proper addressed.
The D-CROSS does not work or work not properly.	Check the DMX cable connections. Make sure that the led unit is not in the demo or sound activated mode.
Color does not match the assigned channel.	Check the DMX channel related color.

10 - TECHNICAL SPECIFICATIONS

Power Supply:	12V DC or 24V DC
Power Consumption:	0.63W
DMX Channel	3 channels
Maximum Ambient Temperature:	0°C to 60°C
Maximum Housing Temperature:	60°C
Chassis Material:	Plastic body
Protection:	IP20
Dimension (L * W * H):	110mm *80mm *42mm
Weight:	0.082Kg



f.a.l. (China)

Sanecore Science & Technology Industry Park, Jiuwei Village, XiXiang Town, ShenZhen, China 518102
Tel:+86 755 2748 3618 Fax:+86 755 2997 5508 E-mail: fal@iagmacao.com Website: www.fal.it