



f.a.l.
The Light Masters

www.fal.it

D-CROSS

D-Cross is an universal DMX controller for any 3 channels RGB devices, especially LED luminaries.

With its stylish, elegant design, D-Cross is perfect for retail shop, restaurant, commercial building, hotel, home and more. The one gang size of panel is easy to fit into any surface, or stand free.

The simplicity design with build-in effect programs, everyone can install, operate without any technical background, and maintenance free.

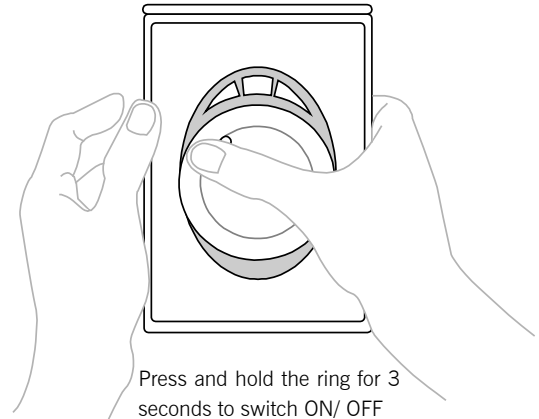
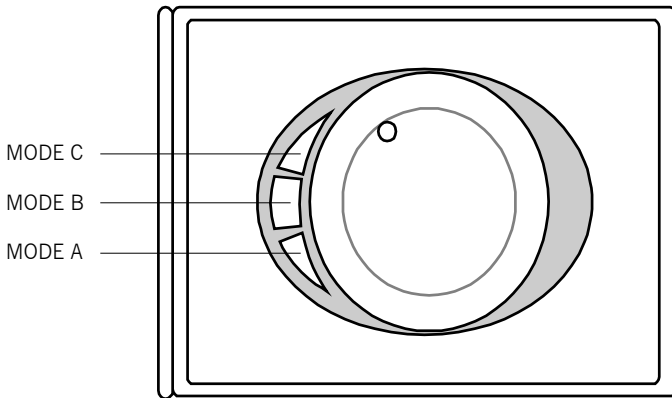
Three modes are provided for easy operation. Mode A: Setting color and Intensity level, Mode B: Color temperature selection, Mode C: Effects, sound active function.

Specifications

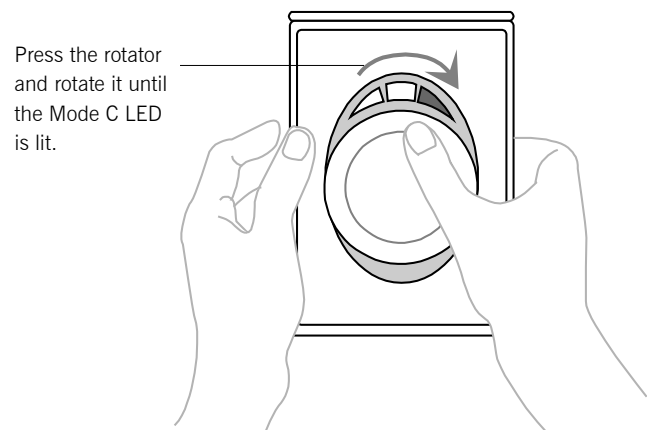
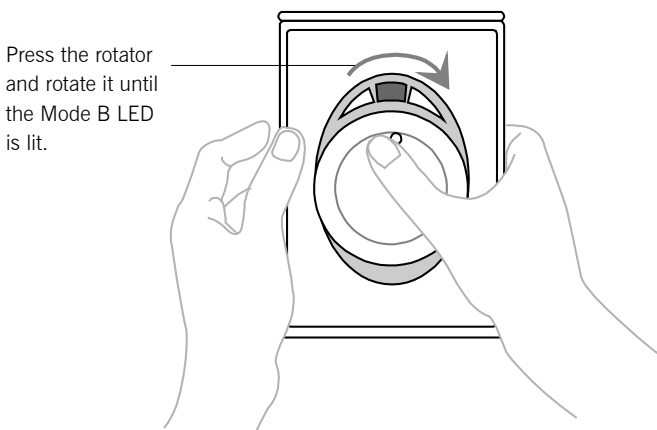
ELECTRICAL	12 VDC or 24 VDC
OPERATIONAL FEATURES	3 modes operation 21 build-in programs
Accessory	RJ-11 connection cable, The other cable by customizing



Operation Modes



Mode Selection: Mode A is initial when you turn on the devices. Three MODE LEDs show different color with different function.



Mode A: Select color and dimming

- Press the rotator once to choose color, and color will change sequentially by White/ Red/ Yellow/ Green/ Cyan/ Blue/ Magenta. The selected color also shows on the MODE LED.
- Since the color was selected, rotate the rotator to setup dimmer level.

Mode B: Color temperature adjustment

- The color selection as same as Mode A.
- In MODE LED is set to white color, the rotator becomes continuous color selection in full spectrum.
- In rest of colors of MODE LED, Red/ Yellow/ Green/ Cyan/ Blue/ Magenta, the rotator become color temperature selection function.

Mode C: Effects and sound active function, The MODE LED indicates different functions.

- White, the rotator control the speed of sequential colors changing, with fade in/ out capability.
- Red, the sound active the color chasing from Red/ Yellow/ Green/ Cyan/ Blue/ Magenta/ White and blackout, with fade in/ out capability.
- Yellow, sound active the strobe function in sequentially colors.
- Green, sound active the white color strobe, the rotator control strobe speed,.
- Cyan, automatically changing the sequence colors with color chasing, the rotator control changing speed.
- Blue, white color strobe, the rotator control strobe speed.
- Magenta, colors chasing, the rotator control the speed.

f.a.l. (China)